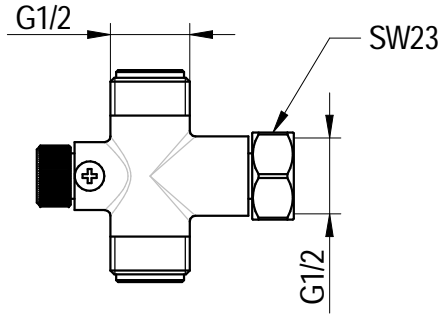
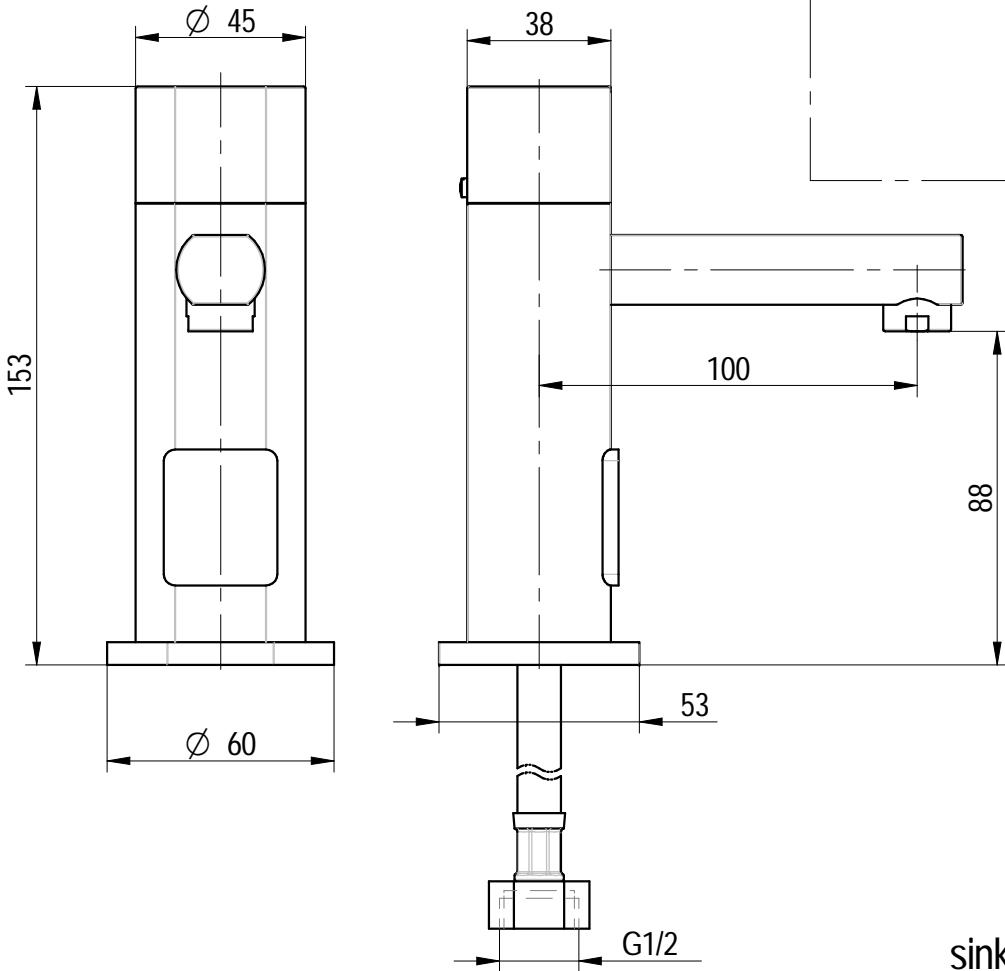
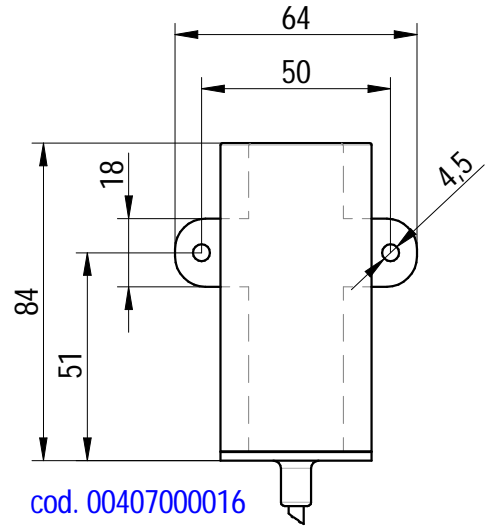


PRE-MIXER



cod. R0902010111

BATTERY HOLDER



FLOW RATE : 8 L/min
sink fixing hole : $\varnothing 30$ mm