

COFFEE GRINDER #43



SANTOS

- 1 - Verser le café dans la trémie
- 2 - Régler la finesse de la mouture
- 3 - Pincer le sac sur le tube de sortie
- 4 - Mettre le moteur en marche (interrupteur sur I)

APRÈS MOUTURE:

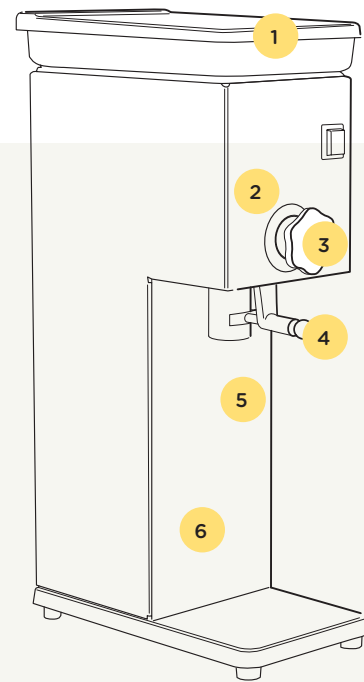
- 5 - Arrêter le moteur (interrupteur sur O)
- 6 - Retirer le sac.

Silent and sturdy coffee shop grinder

Powerful and easy to use, this shop coffee grinder guarantees a high quality grinding.

Its adjustable setting will allow you to choose the fineness of your grinding: from very fine to coarse.

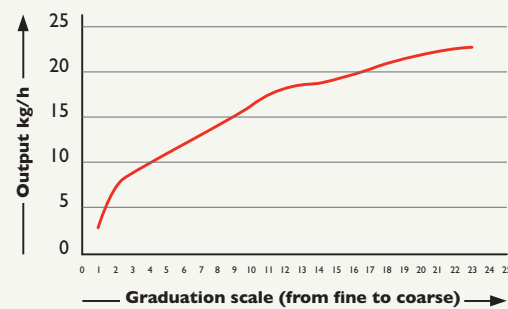
Equipped with a bag holder, it accepts all types of bags from 250gr to 1kg. It is therefore ideal for roasters, zero waste grocery stores, supermarkets, cafes, etc.



Colors

- 1 1.7 kg (3.8lbs) hopper
- 2 Ø 63.5mm (2,5") grinding discs: high resistance, long lasting designed and manufactured by Santos for a high quality grinding
- 3 Precision grinding, from very fine to coarse. Easy to adjust.
- 4 Bag holder accepting bags from 250g to 1kg (1/2 pounds to 2 pounds) Maximum bag height: 360 mm
- 5 Stainless steel body
- 6 Powerful asynchronous motor 5-year warranty

Output of the coffee grinder #43



Santos know how

- Since 1954, Santos manufactures its own grinding discs for a high quality grinding
- Specialist of silent grinders
- Dose regularity
- Not burning coffee while grinding
- Anti-static system
- Easy adjustment and maintenance

65 YEARS experience



Powerful and reliable

Powerful asynchronous and very silent motor.
Sturdy product, adapted to intensive use.

Quality grinding

Easily adjustable grinding settings: precise setting of the grinding fineness for all types of filtration.
Santos manufactures its own grinding discs to give you a perfect grinding, constant and fine.



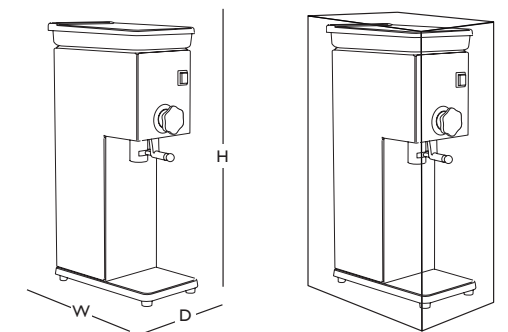
Safety, Standards, Hygiene

In accordance with the following regulations:	Machinery directive 2006 / 42 / EC
	Electromagnetic compatibility 2014 / 30 / EU
	"Low voltage" directive 2014 / 35 / EU
	RoHS directive 2011 / 65 / EU
	Regulation 1935 / 2004 / EC (contact with food)
Harmonized European Standards:	EN ISO 12100 : 2010
	EN 60204-1 + A1 : 2009
	EN 60335-2-64 : 2004 Commercial electric kitchen machines
	CE Marking
Thermal Safety	Motor protected by internal thermal detector
Acoustic Safety	Very silent and powerful asynchronous motor
Hygiene	All removable parts can be put in a dishwasher or easily cleaned with hot soapy water.

Technical specifications

Motor
Single phase:
110-120 V – 50/60 Hz – 650 W – CE
220-240 V – 50/60 Hz – 600 W – CE

Speed:
1500rpm (50Hz)
1800rpm (60Hz)



Appliance
D: 190 mm (7.5")
W: 335 mm (14")
H: 690 mm (27")
Weight:
20,6 Kg (44 lbs)

Shipping Box
D: 280 mm (11")
W: 390 mm (15")
H: 760 mm (30")
Weight:
22 Kg (48 lbs)

PRODUCT: 2 YEAR WARRANTY | MOTOR: 5 YEARS



SANTOS Coffee grinder #43
 From date: 12/2017
 from serial number: 1040912

